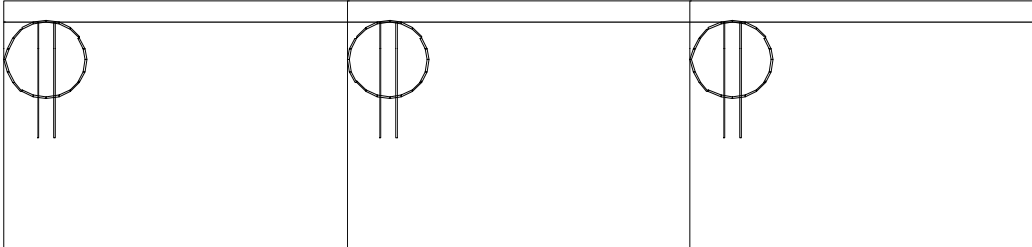


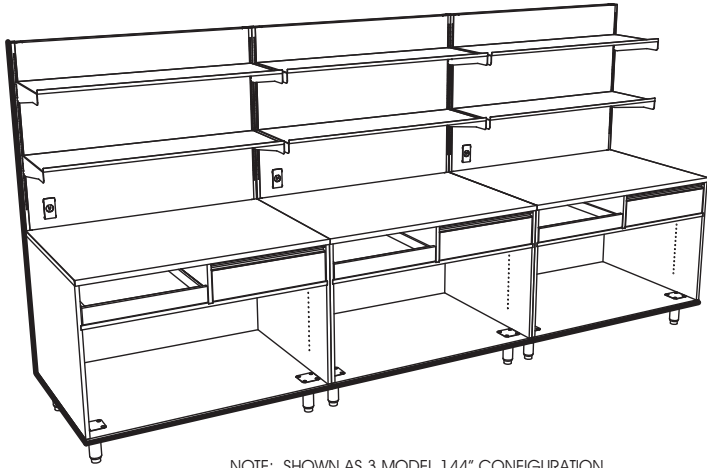
| Back to index | | EQUIPMENT INFORMATION SHEET | | | | Notes and abbreviations | | | BAKERY | | | Link to PDF file | |
|--|-----|-----------------------------|---------|---|---------------------|---|---|----|---------|--------------------------------|--------------------|----------------------------------|--|
| ITEM # | QTY | | MODEL # | ITEM DESCRIPTION | MANUFACTURER | CONTRACTOR INFORMATION | | | REMARKS | UTILITY INFORMATION | | | |
| | EXT | NEW | | | | I | F | C | | ELECTRICAL | MECHANICAL: SUPPLY | MECHANICAL: WASTE | |
| BK135.C | | | | Cake decorating station w/open base; 6" legs | Structural Concepts | FC | | EC | | (3) 120V 15 amp circuits | | | |
|  | | | | | | | | | | EQUIPMENT CELL INFORMATION | | | |
| | | | | | | | | | | Date created: | 1/30/2009 | | |
| | | | | | | | | | | Date revised: | 1/30/2009 | | |
| | | | | | | | | | | Cell library: | layout_foods | | |
| | | | | | | | | | | Cell name(s): | FDBK135.C | | |
| Special CAD Instructions: | | | | | | | | | | | | | |
| ITEM NUMBER: | | BK135.C | | | | | | | | | | | |

Cake Decorating Station

CDR3977 144"L x 35 9/16"D x 72 3/16"H

STANDARD FEATURES

- Exterior-White exterior
- (1) Pull-out tray and storage drawer.
- Stainless steel work surface.
- 48" Modular Configuration.
- Base-6"H legs



NOTE: SHOWN AS 3 MODEL 144" CONFIGURATION

| | STANDARD SPECIFICATION | OPTION(s) |
|---------------|---|---|
| UPPER STORAGE | <input type="checkbox"/> (2) Levels adjustable shelving | <input type="checkbox"/> Peg Board |
| SHELVING | <input type="checkbox"/> None | <input type="checkbox"/> Solid shelves, lighted (T-8) |

ENCORE®

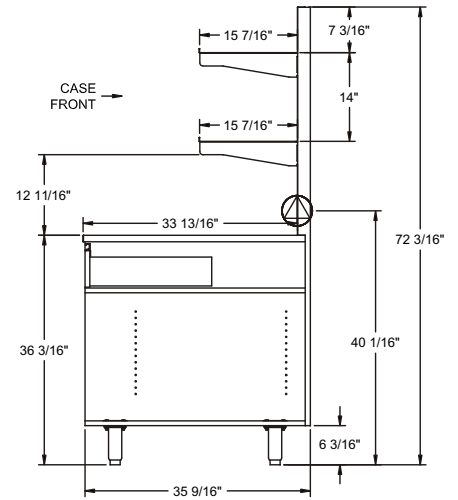
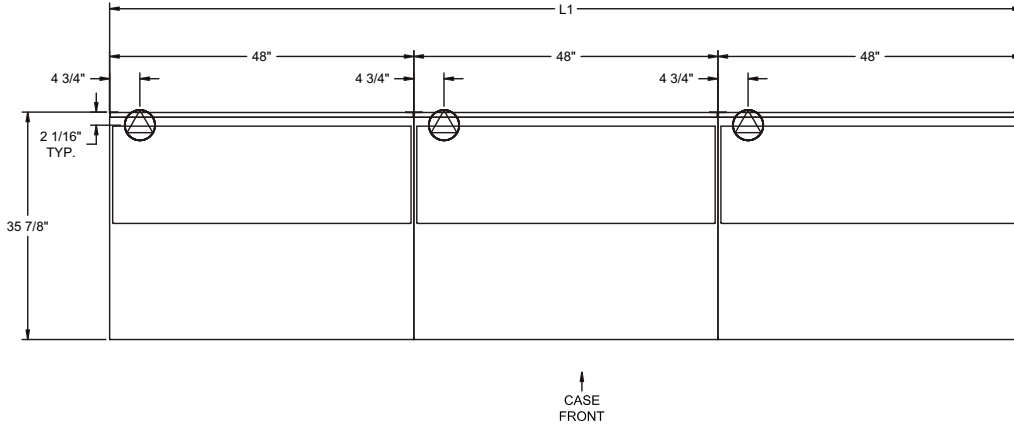
PRODUCT SPECIFICATIONS

Intended Use of Display Area: N/A
 Integrated Product Temperature (IPT): N/A
 Intended Environment: N/A

PLAN VIEW

SIDE VIEW

NOTE: (3) electrical outlets (⊗) to be wired by contractor as required for Meijer typical cake production equipment used.



NOTE: ALL DIMENSIONS APPROXIMATE

- ⊗ ELECTRICAL JUNCTION BOX (SUPPLIED WITH 6" LEADS OR POWER CORD). ⊞ REMOTE CASE SERVICE ACCESS AREA.
- ⊙ LOCATION OF CONDENSATE DRAIN TUBE (SUPPLIED WITH 3/4" OR 1 1/2" PVC DRAIN TUBE). ⊞ SELF-CONTAINED CASE SERVICE ACCESS AREA.
- ⊕ REFRIGERATION LINE CONNECTION. ⊞ DRY CASE SERVICE ACCESS AREA.

| Model | Self-Contained Refrigeration/Dry | | | | | Remote Refrigeration w/Leads | | | Ship Wt | Frt Cls |
|---------|----------------------------------|-----|---------|------|-----------|------------------------------|---------|------|---------|---------|
| | L1* | L2* | Volts++ | Amps | NEMA Plug | Volts++ | Amps*** | BTUH | | |
| CDR3977 | 144 | 0 | N/A | 0 | N/A | N/A | N/A | N/A | 0 | 125 |

++ Operating range for 120 volt rating is 110-120 volts; operating range for 220 volt rating is 208-230 volts.

** Requires 3 wires + ground

*** Does not include electric defrost on freezer models

REGULATORY APPROVALS



Note: Information is subject to change at any time.

888 E. Porter Rd. Muskegon, MI 49441 Phone: 231.798.8888 Fax: 231.798.4960 www.structuralconcepts.com