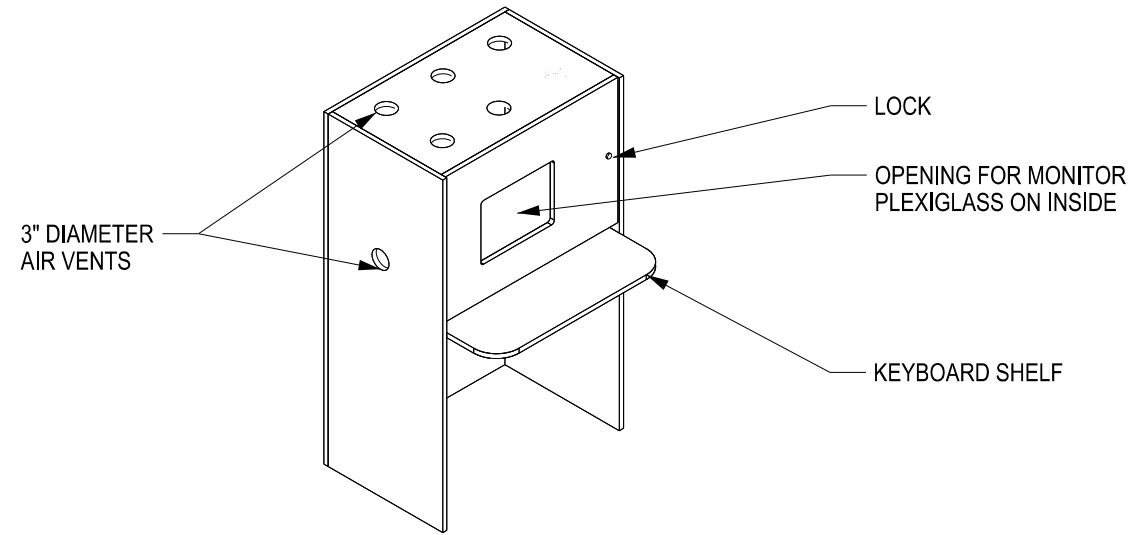
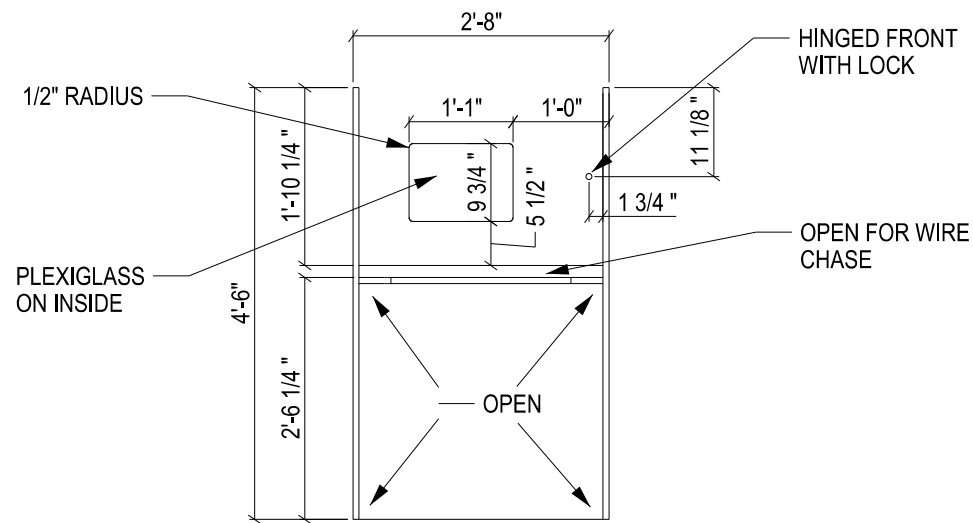


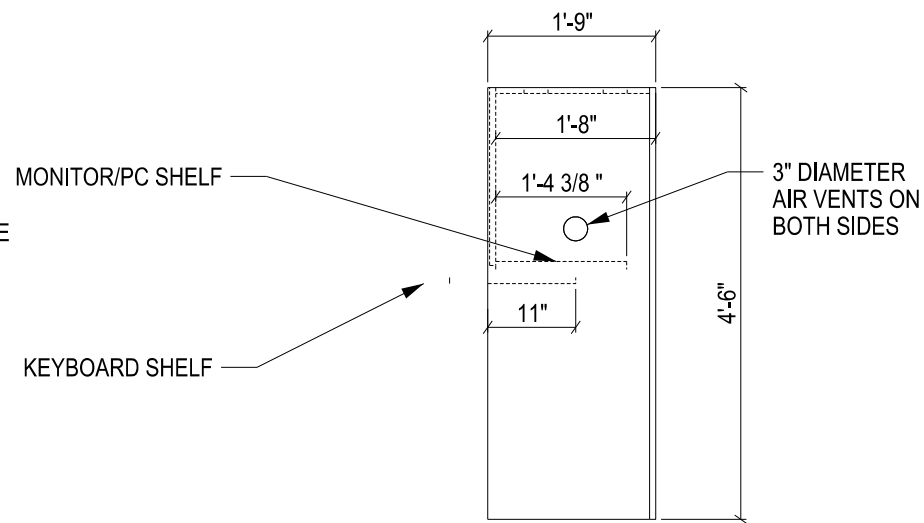
PLAN



ISOMETRIC



A ELEVATION



B ELEVATION

MATERIALS:	PARTICLE BOARD WITH PLASTIC LAMINATE ON ALL EXPOSED SURFACES AND EDGES - WILSONART "UPTOWN WALNUT" 7971K-12
-------------------	---

EMPLOYMENT KIOSK				
DATE	MARK	BY	REVISION	ISSUE DATE
				03/07/2013
				CONTACT
				PROJECT NUMBER
				J000000000

<p>2929 WALKER AVENUE NW GRAND RAPIDS, MI 49544 (616) 453-6711</p>	DRAWING NUMBER
	MW154-UW