


Back to index			EQUIPMENT INFORMATION SHEET				Notes and abbreviations			REFRIGERATION - MEDIUM TEMP.			Link to PDF file		
ITEM #	QTY		MODEL #	ITEM DESCRIPTION	MANUFACTURER	CONTRACTOR INFORMATION			REMARKS	UTILITY INFORMATION					
	EXT	NEW				I	F	C		ELECTRICAL	MECHANICAL: SUPPLY	MECHANICAL: WASTE			
RM86-BE-CG			ID5SL	INSIGHT 5- Deck case- Box End Panel	Hussmann	FC			Install per Manufacturer's specifications.						
										EQUIPMENT CELL INFORMATION					
										Date created:	5/18/2016				
										Date revised:					
										Cell library:	layout_refrigeration				
										Cell name(s):	See below				
										Special CAD Instructions:					
RM86-HS-ID5SL-BE-CG															
										ITEM NUMBER:		RM86-BE-CG			

Insight™ Merchandisers



ID5SL, ID5SM

Insight 5-Deck Merchandisers
for Dairy and Deli Applications

Two versatile styling options



CANOPY



BUMPER

Ellipse



CANOPY



BUMPER

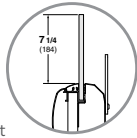
Faceted

Hussmann Insight 5-Deck Merchandisers for Dairy and Deli Applications

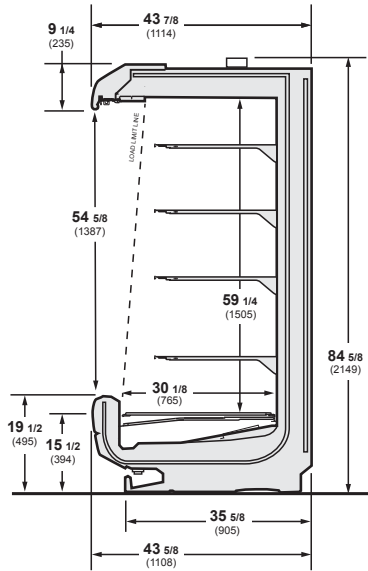
ID5SL - Insight, Dairy, 5-Deck, Standard Front-to-Back Depth, Low Front

ID5SM - Insight, Dairy, 5-Deck, Standard Front-to-Back Depth, Medium Front

Available in 4', 6', 8' and 12' lengths.



ID5SL

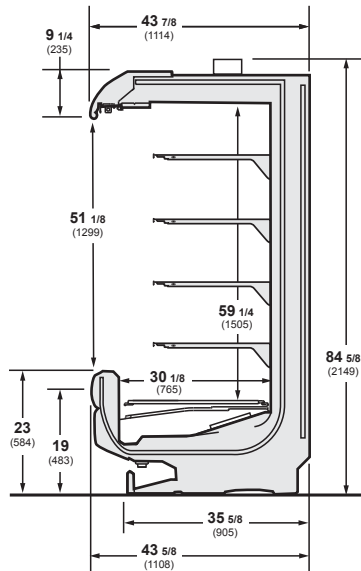


Gross Refrigerated Volume* – **11.6 ft³/ft**
(1.08 m³/m)

*per ANSI/AHRI 1200-2013 appendix C. Volume Calculation

ID5SM

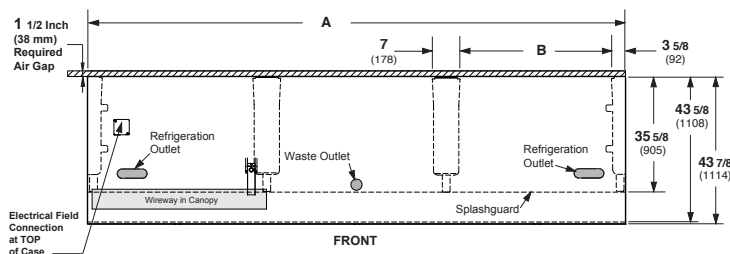
Optional glass front is available on this model.



Gross Refrigerated Volume* – **11.7 ft³/ft**
(1.09 m³/m)

*per ANSI/AHRI 1200-2013 appendix C. Volume Calculation

Plan View



Dimension	A	B
4 FT	48 1/8 (1222)	41 (1041)
6 FT	72 1/4 (1835)	29 (737)
8 FT	96 1/4 (2445)	41 (1041)
12 FT	144 3/8 (3668)	41 (1041)

Notes:
Overall case length without ends or partitions. Each standard end and each insulated partition adds 1 1/2 in. (38 mm) to case line up. Optional view end with end bumper adds 3 3/4 in. (95 mm).

Note

Use Hussmann's technical data sheets to get precise dimensions for all store layout purposes.

Features / Benefits

- DD5S cases are designed for effective multi-deck display of packaged dairy and deli products.
- **Superior Food Quality**
 - More stable and uniform product temperatures to maintain freshness
 - Shorter defrost cycles protect food integrity
- **Energy and Sustainability Benefits**
 - Up to 17% case energy savings vs. other currently available Hussmann products
 - EcoShine II LED lights standard, up to 71% more efficient than fluorescents
 - Over 30% less refrigerant in coils vs. previous coil designs
- **Better Structural Integrity**
 - Unibody construction improves integrity, facilitates moving, joining, and setting cases
 - Additional new features simplify installation
- **Easier to Clean, Better Sanitation**
 - All electrical parts/connections can be sprayed with water, rated IP 65 or greater
 - New anti-clog drain strainer
 - Coil in back wall and flip-up fan plenums for easy-to-clean case bottom
 - Seamless plastic "bathtub" bottom helps prevent leaks
- **Easier Service**
 - Wiring raceway in canopy for easy access
 - Flip-up access door on optional bottom rack for easy access to drain, fans, and valves
 - Standard LED lights reduce relamping and other maintenance costs
- **Superior Merchandising**
 - Ellipse and faceted design options to align with store image
 - Convertible merchandising optionally available
 - EcoShine II LED lighting standard, customized for optimal product lighting
 - EcoVision II Plus doors provide excellent product visibility and merchandising impact
 - Improved air curtain reduces "cold aisle" effect by 2-3° F

Options

- Various ends, lighting, shelves, racks, paint, and bumper colors
- Two basic styling options, ellipse and faceted, with mix and match alternatives
- Unique, high efficiency night curtains
- Flip-up bottom rack
- EcoVision II Plus doors can be factory installed or field installed after purchase
- Sign-ready canopy fascia panel
- Options available on most models to adjust performance to Type II climatic conditions

NOTE: These merchandisers are designed for use in stores when temperature and humidity do not exceed 75°F and 55% R.H.

NOTE: We reserve the right to change or revise specifications and product design in connection with any feature of our products. Such changes do not entitle the buyer to corresponding changes, improvements, additions, or replacements for equipment previously sold or shipped.

HUSSMANN[®]

Hussmann Corporation

12999 St. Charles Rock Rd.
Bridgeton, MO 63044-2483
Ph: 314.291.2000

www.hussmann.com